



Designed to be the most adaptable switch on the market, the 69J offers the user the flexibility to build the pressure switch around the compressor—not the other way around. The unloader can be mounted on the front or either side, and can be rotated to any of eight different positions allowing for quicker assembly and shorter tubing. Bottom cable entry is also available with unique built-in clamping strain relief for even quicker assembly. With thousands of variations right off the production line, the 69J provides maximum flexibility at minimum cost. With UL, CSA and CE approvals, the 69J is designed to be sold anywhere in the world.

### Class 69J Switch

#### Standard Features Include:

- 3 and 5 HP 175 PSI maximum
- Improved unloader valve design
- Several terminal options
- Optional bottom cable entry
- Silver cad-oxide brazed contacts
- Rugged cover
- Various pipe locations
- Choice of auto-Off lever locations
- UL listed
- CSA certified
- CE approved
- 1/4" female NPT with pulsation orifice

### 69J Air Systems

| Min. Close Cut-In | Max. Open Cut-Out | Differential Range | Pressure Setting Adjustment Table | Horsepower |      |         |          | Factory Setting | NEMA 1 General Purpose Cat No. |
|-------------------|-------------------|--------------------|-----------------------------------|------------|------|---------|----------|-----------------|--------------------------------|
|                   |                   |                    |                                   | 1 Phase    |      | 3 Phase |          |                 |                                |
|                   |                   |                    |                                   | 120V       | 240V | 240V    | 480/600V |                 |                                |
| 60 psi            | 110 psi           | 15-25 psi          | R                                 | 1.5        | 2.0  | 3.0     | —        | 80-100          | 69JF6                          |
| 60 psi            | 110 psi           | 15-25 psi          | R                                 | 2.0        | 3.0  | 5.0     | 1.0      | 80-100          | 69JG6                          |
| 50 psi            | 135 psi           | 25-33 psi          | S                                 | 1.5        | 2.0  | 3.0     | —        | 95-125          | 69JF7                          |
| 50 psi            | 135 psi           | 25-33 psi          | S                                 | 2.0        | 3.0  | 5.0     | 1.0      | 95-125          | 69JG7                          |
| 90 psi            | 165 psi           | 25-38 psi          | T                                 | 1.5        | 2.0  | 3.0     | —        | 115-150         | 69JF8                          |
| 90 psi            | 165 psi           | 25-38 psi          | T                                 | 2.0        | 3.0  | 5.0     | 1.0      | 115-150         | 69JG8                          |
| 100 psi           | 175 psi           | 30-40 psi          | U                                 | 1.5        | 2.0  | 3.0     | —        | 140-175         | 69JF9                          |
| 100 psi           | 175 psi           | 30-40 psi          | U                                 | 2.0        | 3.0  | 5.0     | 1.0      | 140-175         | 69JG9                          |

PSI Table R

| Cut-In-C |      | Cut-Out A |
|----------|------|-----------|
| Min.     | Max. |           |
| 60       | 70   | 85        |
| 65       | 75   | 90        |
| 70       | 80   | 95        |
| 75       | 85   | 100       |
| 80       | 90   | 105       |
| 85       | 95   | 110       |

PSI Table S

| Cut-In-C |      | Cut-Out A |
|----------|------|-----------|
| Min.     | Max. |           |
| 52       | 60   | 85        |
| 62       | 70   | 95        |
| 72       | 80   | 105       |
| 82       | 90   | 115       |
| 92       | 100  | 125       |
| 102      | 110  | 135       |
| 112      | 120  | 145       |

PSI Table T

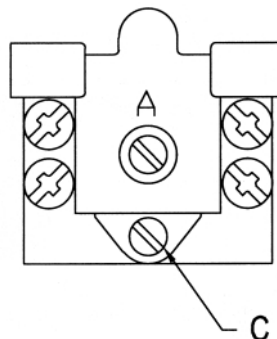
| Cut-In-C |      | Cut-Out A |
|----------|------|-----------|
| Min.     | Max. |           |
| 89       | 96   | 125       |
| 94       | 101  | 130       |
| 99       | 106  | 135       |
| 104      | 111  | 140       |
| 109      | 116  | 140       |
| 114      | 121  | 150       |
| 119      | 126  | 155       |
| 124      | 131  | 160       |
| 129      | 136  | 165       |

PSI Table U

| Cut-In-C |      | Cut-Out A |
|----------|------|-----------|
| Min.     | Max. |           |
| 100      | 110  | 140       |
| 105      | 115  | 145       |
| 110      | 120  | 150       |
| 115      | 125  | 155       |
| 120      | 130  | 160       |
| 125      | 135  | 165       |
| 130      | 140  | 170       |
| 135      | 145  | 175       |

### Electrical Ratings

| Cat. No. | Control Circuit | Horsepower |      |        |          |     |
|----------|-----------------|------------|------|--------|----------|-----|
|          |                 | 1 Phase    |      | 3Phase |          | DC  |
|          |                 | 112V       | 240V | 240V   | 480-600V |     |
| 69JF     | A600            | 1.5        | 2.0  | 3.0    | —        | 1/4 |
| 69JG     | A600            | 2.0        | 3.0  | 5.0    | 1        | 1/2 |



### Pressure Adjustment Settings

Screw A—Turn clockwise to increase and counter-clockwise to decrease pressure range (both cut-in and cut-out).

### Differential Adjustment

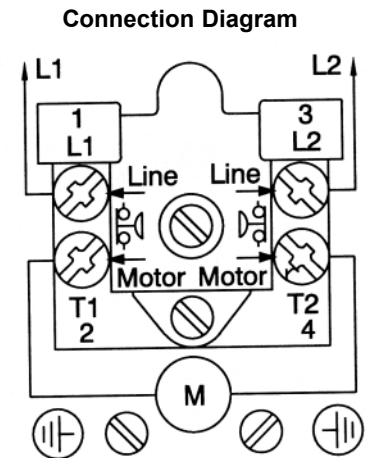
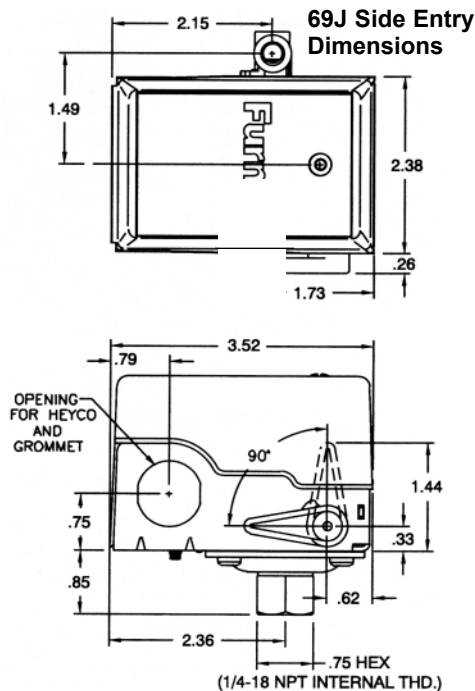
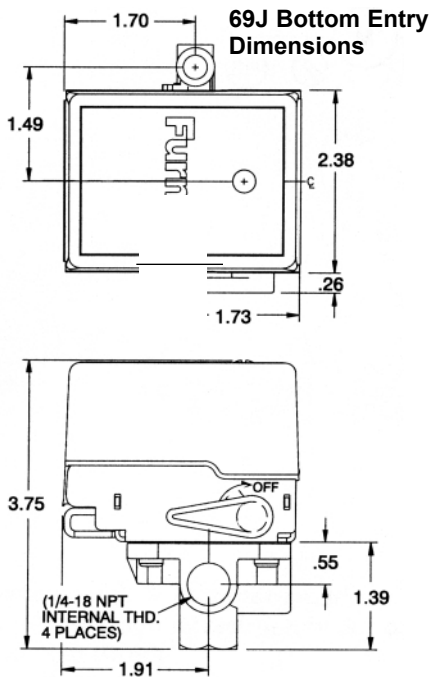
Screw C—Turn clockwise to increase and counter-clockwise to decrease cut-in pressure.

NOTE: Differentials shown on tables above are averages only.

69J Modifications

| Description  | Cat. No. Suffix<br>(add suffixes in order shown) | Minimums  |
|--|--|-----------|
| Auto-off disconnect lever  | L  |           |
| Unloader valve   | Y  |           |
| 1/4" quick connects (load terminal only)   | A  | 24 pc min |
| Two grommets for 1/2" conduit hole   | G  |           |
| Pipe Fittings:   |  |           |
| 1/4" male NPT  | 2A   | 24 pc min |
| Four port manifold (each port is 1/4" NPT)   | 2C   | 24 pc min |
| 3/8" female NPT  | 2J   | 24 pc min |
| Special pressure settings: Suffix Z is followed by setting<br>Example: 69JF7LYZ90120 | Z†   | 24 pc min |

† See Instruction Sheet included with switch for manual adjusting instructions.



Replacement Parts

| Description                    | Cat. No.  |
|--------------------------------|-----------|
| Unloader valve                 | 69DJA     |
| Grommets for 1/2" conduit hole | D00492001 |

